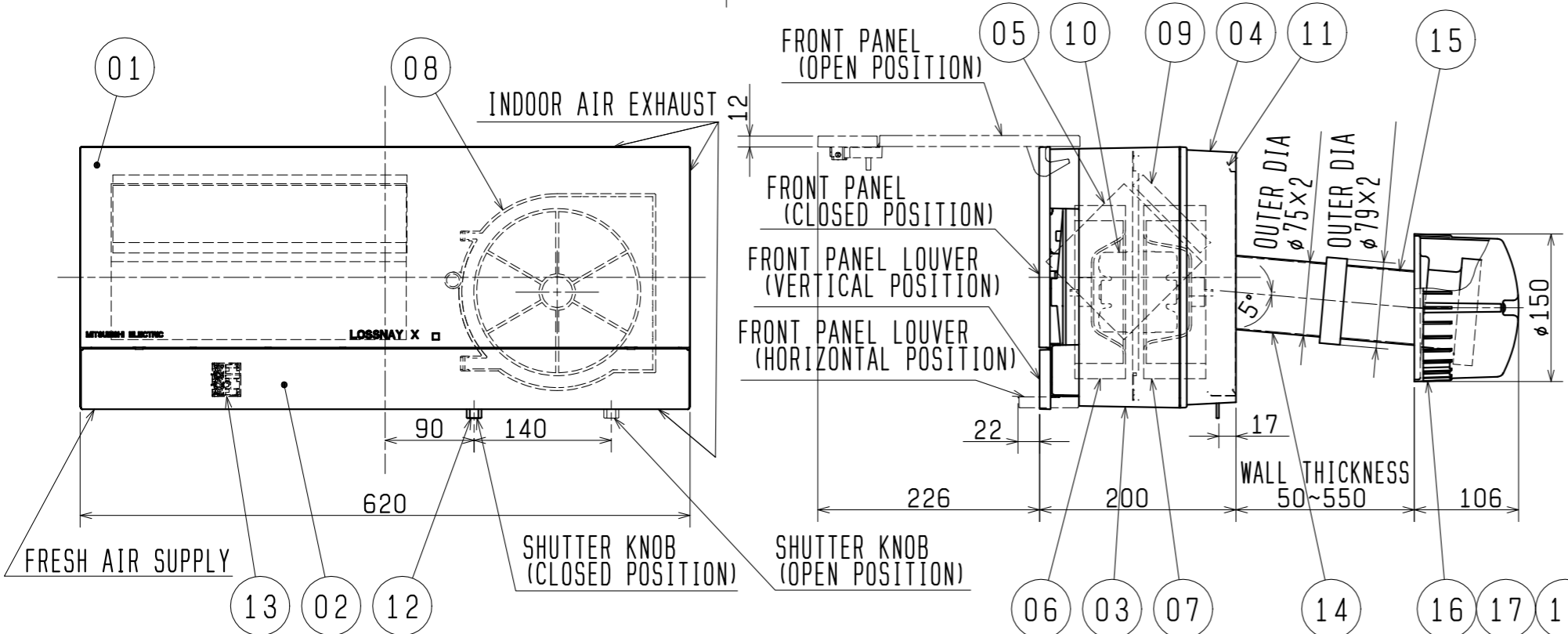
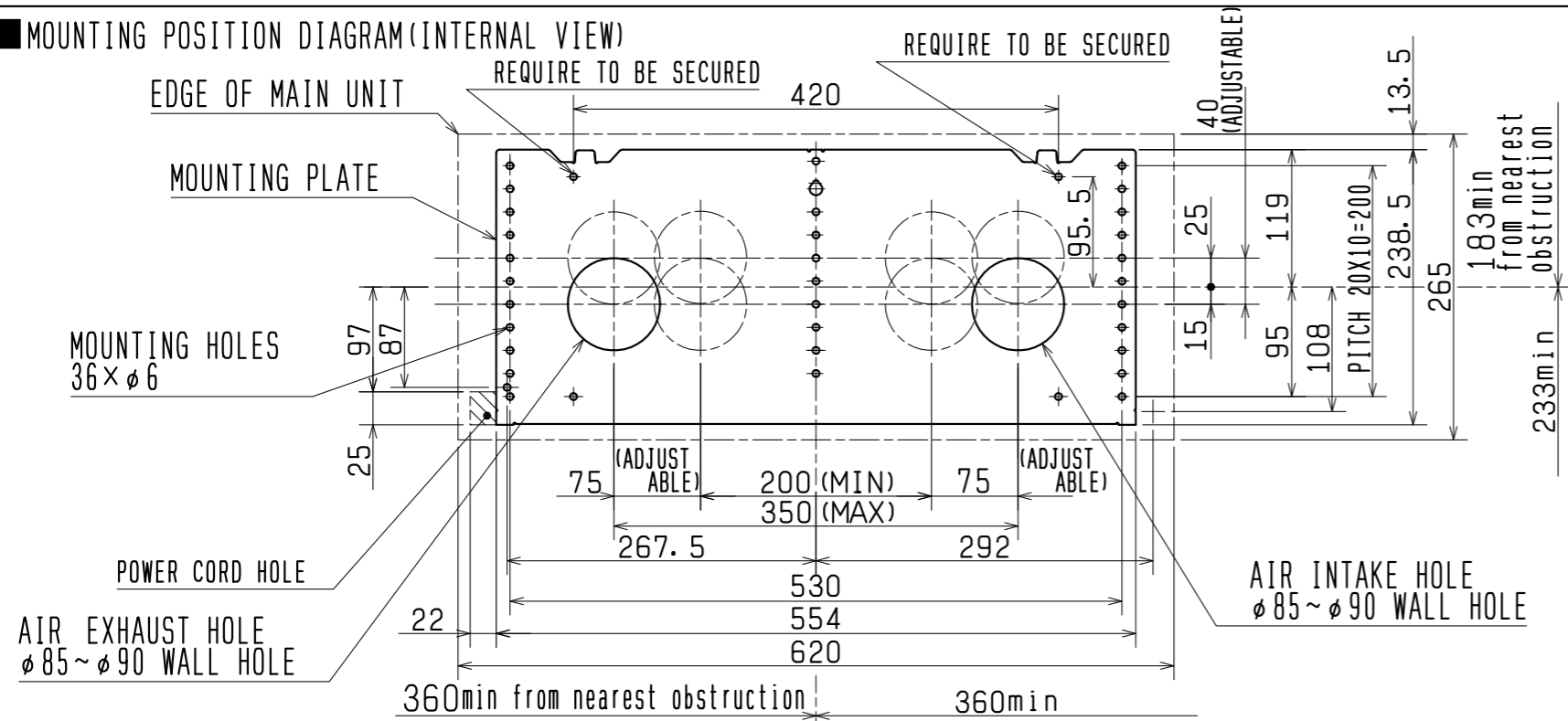
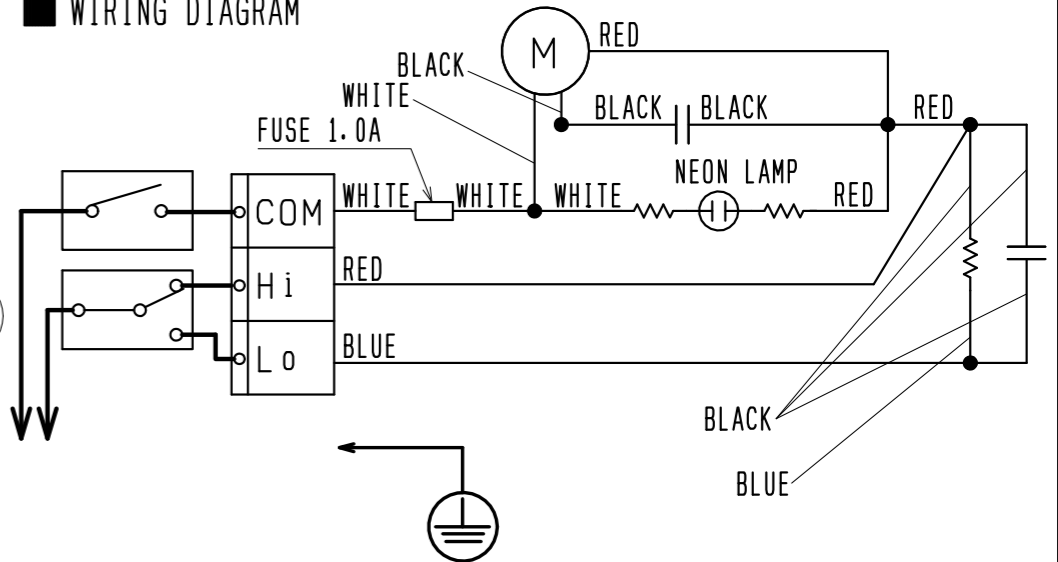


■ MOUNTING POSITION DIAGRAM (INTERNAL VIEW)



No.	PARTS NAME	MATERIAL	REMARKS
01	FRONT PANEL	SYNTHETIC RESIN	MUNSELL 0.8GY9.0/0.5
02	FRONT PANEL LOUVER	SYNTHETIC RESIN	MUNSELL 0.8GY9.0/0.5
03	FRONT CASING	SYNTHETIC RESIN	MUNSELL 0.8GY9.0/0.5
04	BACK CASING	SYNTHETIC RESIN	MUNSELL 0.8GY9.0/0.5
05	HEAT EXCHANGER	SPECIALLY TREATED PAPER	
06	VANE FOR AIR EXHAUST	SYNTHETIC RESIN	
07	VANE FOR AIR SUPPLY	SYNTHETIC RESIN	
08	FILTER (AIR EXHAUST)	SYNTHETIC RESIN	
09	FILTER (AIR SUPPLY)	NON-WOVEN FABRIC	
10	MOTOR		
11	MOUNTING PLATE	GALVANIZED STEEL SHEET	
12	SHUTTER	SYNTHETIC RESIN	
13	TERMINAL BLOCK		
14	AIR SUPPLY/EXHAUST PIPE A	SYNTHETIC RESIN	
15	AIR SUPPLY/EXHAUST PIPE B (FOR EXTENSION)	SYNTHETIC RESIN	
16	WEATHER COVER	SYNTHETIC RESIN	
17	WEATHER COVER MOUNTING PLATE	SYNTHETIC RESIN	
18	FLANGE NUT	SYNTHETIC RESIN	

■ WIRING DIAGRAM



■ SPECIFICATIONS

POWER SUPPLY		NOTCH	POWER CONSUMPTION (W)	AIR VOLUME (m³/h)	TEMPERATURE EXCHANGE EFFICIENCY (%)	SOUND LEVEL (dB)	WEIGHT (kg)
FREQUENCY (Hz)	VOLTAGE (V)						
50	220	HI	30	100	73	36.5	7.5
		LO	13	55	80	24	
	230	HI	31	105	73	37	
		LO	15	60	80	25	
	240	HI	34	106	72	38	
		LO	17	61	79	27	

TYPE OF MOTOR: CONDENSER MOTOR-4POLES / SINGLE PHASE  
 WITHSTAND VOLTAGE: AC 1000V 1 MINUTE  
 SHUTTER: MANUAL OPERATION

※THE TESTING METHODS ARE BASED ON JAPANESE INDUSTRIAL STANDARD B 8628.

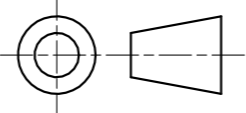

※SPECIFICATIONS ARE SUBJECT TO CHANGE WITHOUT NOTICE.

	Date	Model	VL-100EU <sub>5</sub> -E LOSSNAY
	May-20. 2013		
MITSUBISHI ELECTRIC CORPORATION	Number	NB412010B 1/2	

(Cautions)

- Install this product in an environment where the temperature and humidity is in below ranges.  
 Outdoor : from -10℃ to +40℃  
 Indoor : from 0℃ to +40℃  
 \* If outdoor temperature is -10℃, indoor temperature and relative humidity should not exceed the dew point temperature 6.0℃ (e.g. RH 40% / 20℃)
- To prevent freezing or damage to the Lossnay Core, stop the unit and close the shutter if the outside temperature falls below -10℃ and the room's humidity rises above 40%.
- If there is much humidity emitted from building materials in new residential housing, waterdrop may appear to the panel surface of the unit.
- If waterdrop appears to the panel surface of the unit, wipe off it with cloth, etc.
- When the unit is not operating, slide the shutter to the closed position if the weather is windy, dense foggy or snowstorm.
- You can open the shutter when the unit is off to use as a natural ventilation.
- This appliance is not intended for use by persons (including children) with reduced physical, sensory or mental capabilities, or lack of experience and knowledge, unless they have been given supervision or instruction concerning use of the appliance by a person responsible for their safety.
- Children should be supervised to ensure that they do not play with the appliance.
- Do not use the unit in bathrooms, washrooms, etc., since it is not wetproof structure.  
 It leads the cause of an electric shock and unit damage.
- Prepare the air intake hole of the outdoor side to be in the appropriate position where the fresh air is to take in.  
 (Check its position not taking in the exhaust gas, such as from boilers and cars.)  
 Otherwise, the internal air may be short of oxygen.
- Do not install the unit under the high temperature condition (40℃ or more).  
 It leads the cause of early unit damage.
- Do not install the unit in the place with much soot, such as a kitchen, or the place where the organic solvent is poured.
- Do not install in corrosive areas such as high saline areas or near sulfurous springs.
- Make sure to use the unit combined with supplied optional parts, such as outdoor weather cover.  
 Otherwise, water and snow may permeate in the place where rain water and snow fall on directly.
- We recommend to install the unit in the place separated from the bed.  
 (There may be the possibility of feeling the operating sound or the feeling cold wind at the time of sleeping.)
- Install the unit in the place where it can be cleaned with ease, since its built-in filter can be blocked with dust, etc.  
 (Although the built-in filter prevents the dust, etc. from the open air, the unit and its around may become dirty.)
- Since the accumulation efficiency of the open air purification filter is 82% by the mass method,  
 some of small particles or insects, etc. may pass.
- In mid-rise and high-rise buildings or in coastal and other areas prone to strong winds, wind could blow into the unit when it is not operating.  
 Install the Lossnay where it will not be directly subject to wind.
- Do not use the Lossnay in areas prone to damage from salt or hot springs.

\*SPECIFICATIONS ARE SUBJECT TO CHANGE WITHOUT NOTICE.

	Date	Model	VL-100EU <sub>5</sub> -E LOSSNAY
	May-20. 2013		
 MITSUBISHI ELECTRIC CORPORATION	Number	NB412010B <sub>2/2</sub>	