



Halogen infrared heater IRCF

For spot heating of large premises

IRCF is especially designed for spot heating of premises with large air volumes, such as churches, aircraft hangars and marquees. With its high efficiency and compact size it is perfect for many difficult applications.

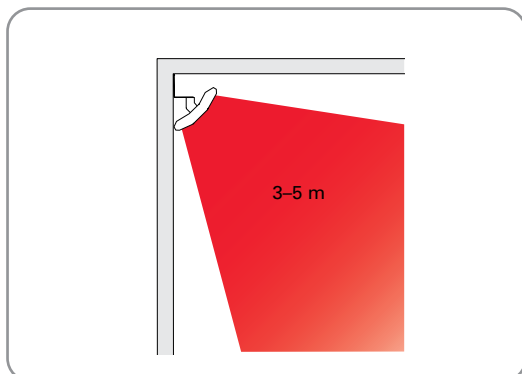
IRCF has a discreet and compact design. Equipped with one to three halogen lamps and with glossy finished reflectors.

- Equipped with one to three halogen lamps and with glossy finished reflectors.
- Easy mounting with mounting bracket on the wall or ceiling. The heater can be angled.
- Protection grille available as an accessory.
- To comply with Ecodesign Regulation (EU) 2015/1188 the unit must be installed either with thermostat TAP16R or with output control RB123 and presence detector PDK65 (accessories).
- Corrosion proof casing of aluminum.
- Colour: RAL 9006.

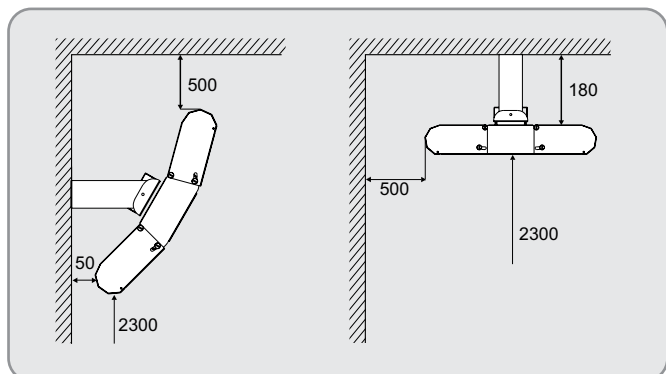
Halogen infrared heater IRCF (IP20)

Type	Heat output [W]	Voltage [V]	Dimensions LxHxD [mm]	Number of lamps	Weight [kg]
IRCF1500	1500	230V~	490x230x140	1	1,7
IRCF3000	3000	230V~	490x375x140	2	2,4
IRCF4500	4500	230V~/400V3~	490x515x140	3	3,0

Installation height

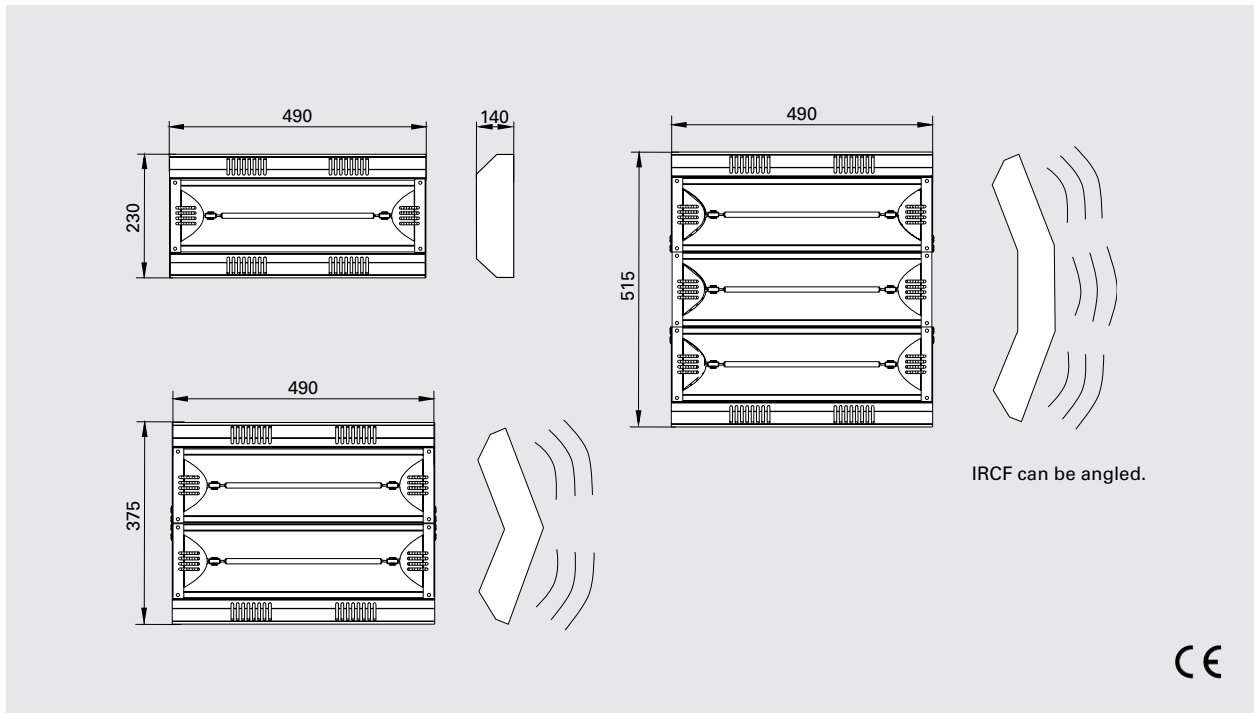


Minimum distances



Design and specifications are subject to change without notice.

Dimensions



IRCF can be mounted on the wall or on the ceiling and is suitable in buildings which are used sporadically like this go-cart track starting area.



IRCF is often installed in large warehouses. They give instant and effective heat which make them profitable quickly.

Halogen infrared heater IRCF

Positioning, mounting and connection

Positioning

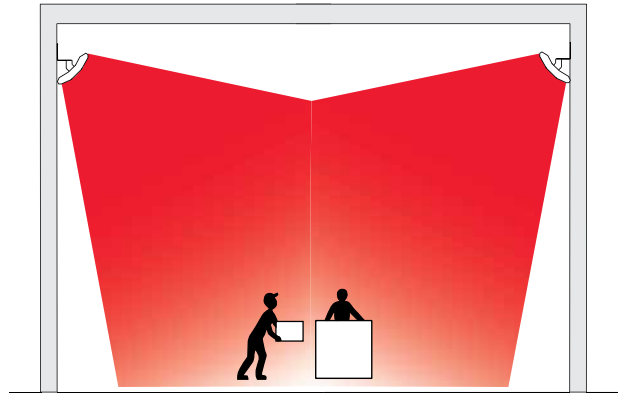
To heat a work station, it is suitable to use two units and let the heat flow cross.

Mounting

IRCF is installed horizontally on the ceiling or on the wall with the supplied bracket. IRCF can be suspended from chains for example. The angle of the heater can be adjusted for optimum comfort. Protection grille is available as an accessory.

Connection

IRCF is intended for permanent installation.



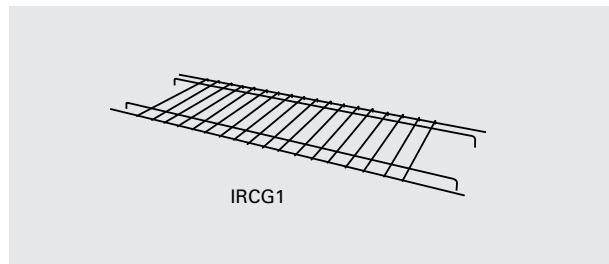
Accessories

KLSR15, extra lamp

Halogen lamps of 1,5 kW are replaceable and has a life of about 5000 hours with normal usage.

IRCG1, protection grille for IRCF

Grille to protect IRCF in exposed areas. One grille is required for IRCF1500, while IRCF3000 needs two grilles and IRCF4500 needs three grilles.



Type	Description	HxWxD [mm]
KLSR15	Extra lamp	
IRCG1	Protection grille for IRCF1500. IRCF3000 requires 2 pcs, IRCF4500 requires 3 pcs.	10x480x134



The smallest model of IRCF is excellent for difficult applications like churches.

Control options

The heater must be supplemented with one of the following control options. TAP16R has adaptive start, week program and open window detection.

IRCF1500 / IRCF3000

Control by thermostat

- TAP16R, electronic thermostat
- RB3, relaybox (IRCF3000)

Control by thermostat and black bulb sensor

- TAP16R, electronic thermostat
- SKG30, black bulb sensor
- RB3, relaybox (IRCF3000)

Control by thermostat and presence detector

- TAP16R, electronic thermostat
- PDK65, presence detector with power supply
- RB3, relaybox (IRCF3000)

IRCF4500

Control by thermostat

- TAP16R, electronic thermostat
- RB3, relaybox

Control by thermostat and black bulb sensor

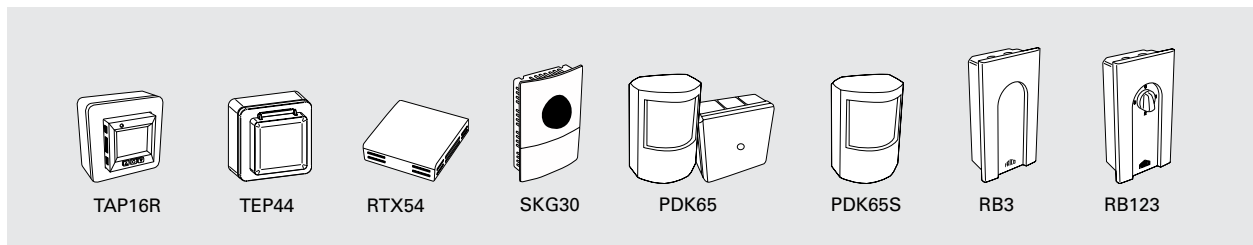
- TAP16R, electronic thermostat
- SKG30, black bulb sensor
- RB3, relaybox

Control by 3 step output control and presence detector

- RB123, relaybox with 3 step output control
- PDK65, presence detector with power supply

The product can be controlled in a different way, e.g. by an overall control system (BMS) as long as the requirements of Ecodesign Regulation are met.

Controls



Type	Description	HxWxD [mm]
TAP16R	Electronic thermostat, 16A, IP21	87x87x53
TEP44	Protective enclosure for TAP16R, IP44. Must be supplemented with RTX54.	87x87x55
RTX54	External room temperature sensor. Replaces internal sensor. NTC10KΩ, IP54	82x88x25
SKG30	Black bulb sensor, NTC10KΩ, IP30	115x85x40
PDK65	Presence detector with power supply (up to 5 detectors), 230V~, max 2,3 kW, IP42/IP65	102x70x50 88x88x39
PDK65S	Additional presence detector to PDK65, IP42	102x70x50
RB3	Relaybox 400V3N~ (400V3~/V2~, 230V3~/V2~), 16A, IP44	155x87x43
RB123	Relaybox with 3 step output control, 400V3N~, 16A, IP44	155x87x43

Controls for installations not covered by the Ecodesign Regulation (EU) 2015/1188

When the heater is used for technical heating purposes, and not as a local space heater, the following controls can be used.

Type	Description	HxWxD [mm]
KRT1900	Capillary tube thermostat, IP55	165x57x60
KRTV19	Capillary tube thermostat with knob, IP44	165x57x60
S123	Manual switch for 1-2-3 steps, 20A, IP42	72x64x46

